

Airport Control Tower



RolaShades

Airport Tower Control



Strength Characteristic

- Sun glare reduction

- Heat reduction

- Eye-straining glare reduction

Benefits

- Improve visual contact with air ground traffic
- Improve vision of radar and computer screens

- Reduce solar heat gain

- Improve working and environmental condition

SPECIFICATIONS

SolarFilm meet USA Standard

Name: Rolaview GSB-SR
Thickness: 125 Micron 3Ply
Coating: Scratch Resistance: 3.4%
Glare Reduction: 97%
Visible Light Reflection: 4%

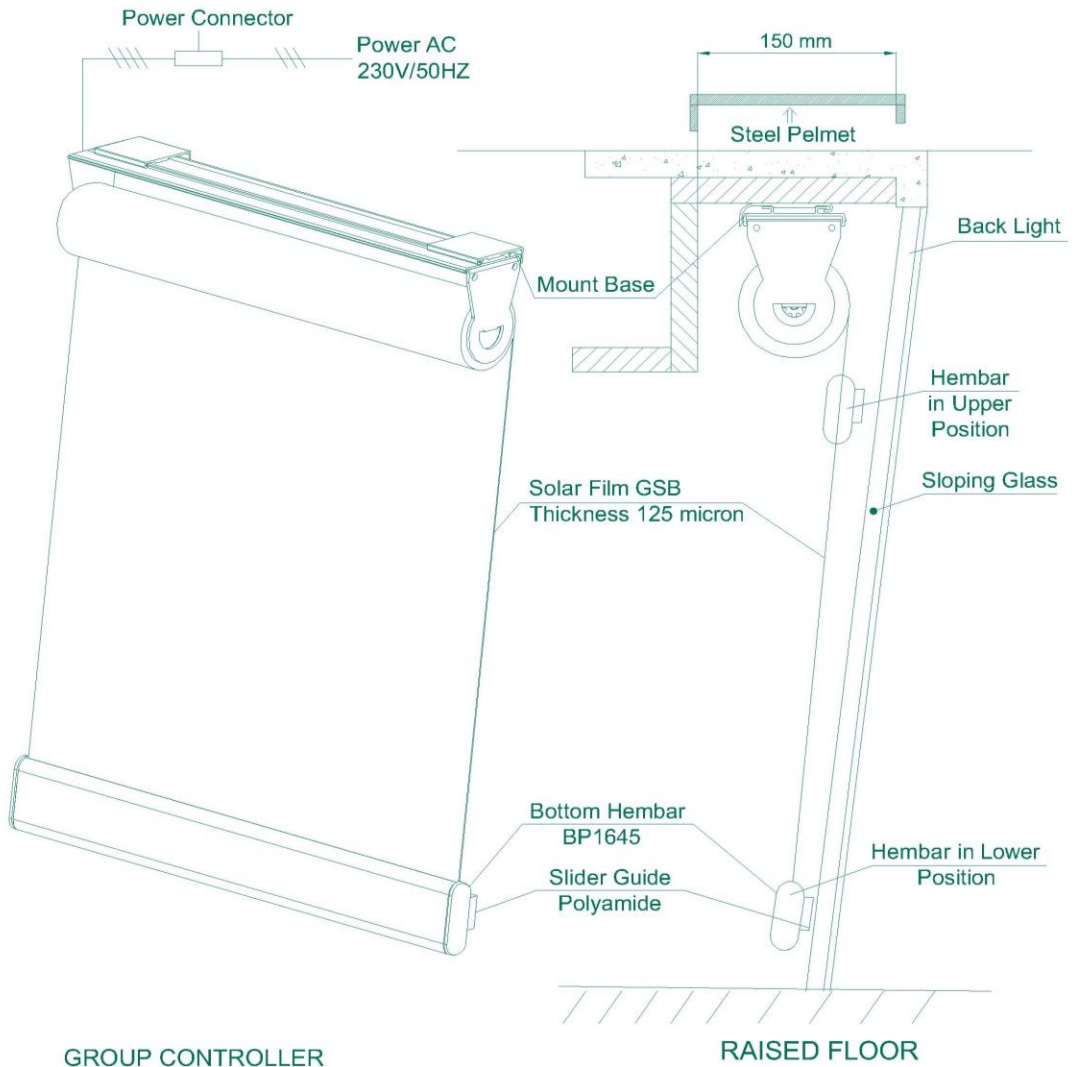
Ultraviolet Transmittance: 0 – 1%
Winter U Value: 1.15%
Solar Transmittance: 15.9%
Shading Coefficient: 0.37%
Solar Reflection: 22.5%
Solar Absorption: 61.1%
Total Energy Rejected: 66%

Solar Film Width: 1800mm
MaxCab Window Lager than 1800mm will be
Railroad Joint at Top with Cupping Edge facing
Outwards.

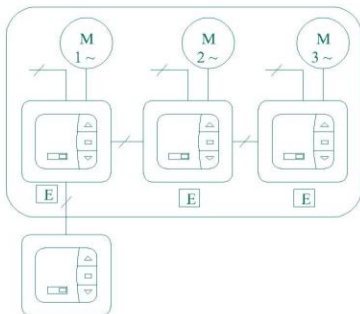
For Special Customized Roller & ATC Fabric, Please Contact
Email: info@rolashades.com - Website: www.rolashades.com

RolaShades

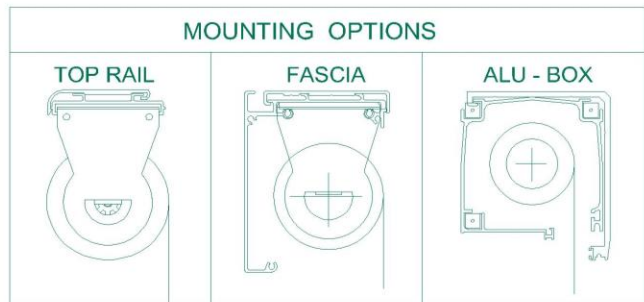
Airport Tower Control



GROUP CONTROLLER



MOUNTING OPTIONS







Changi Airport Control
Tower

RolaShades Group of Companies

Singapore	RolaShades Pte Ltd. Tel: +65-6259 8123	Fax: +65-6356 6566	Email: sales@rolashades.com
Malaysia	RolaShades Sdn Bhd Tel: +6012-381 9566	Fax: +603-7875 6566	Email: rolashades@ymail.com
Hong Kong China	RolaShades China Ltd. Tel: +852-21897123	Fax: +852-21267566	Email: sales@rolashades.com.hk
Vietnam	RolaShades Vietnam JSC Tel: +84 8 3825 3788	Fax: +84 8 3825 3789	Email: rolashades@vnn.vn
India	Rola Shades PVT Ltd. Incorporated Aug 2012		

Web: www.rolashades.com